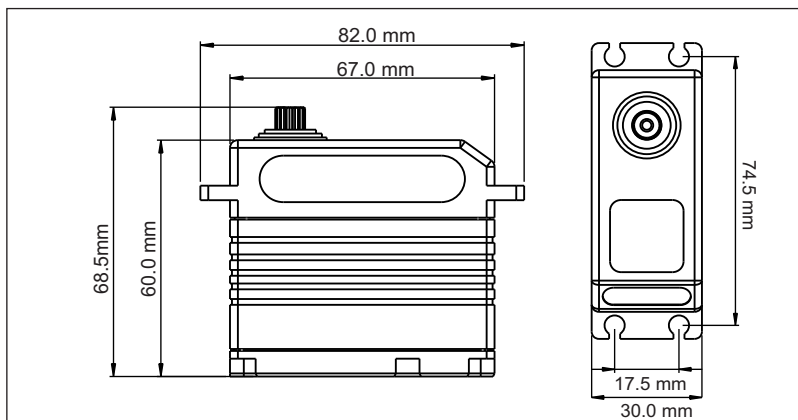


HLT70180D Servo Specifications

Operating Voltage Vdc	6.0 ~ 7.4 ~ 8.4
Speed @ 60°	0.25 ~ 0.20 ~ 0.18
Torque Range kg/cm	57 ~ 62~ 70
Torque Range oz/in	792~ 861~ 972
Dimensions (Metric)	67.0 x 61 x 30
Dimensions (Inches)	2.64 x 2.36 x 1.18
Weight (Gram)	280 g
Weight (Ounces)	10.2 oz
Motor Type	Cored Metal Brush
Gear Material	Metal
Bearing Type	Double Bearing
Output gear teeth	15
Case Material	Aluminum
Dust / Water Proof	Yes
LED type	Bi-colour (RED,Green)



Features:

Unbreakable fully billet casing, waterproof*, 15T gear teeth, heavy duty metal gears, quality core metal motor, smart digital signal controller with Led status signals for diagnostic, quick disconnect servo lead, automatic shutdown if no RX signals present.

Servo require 3 to 5Vdc square wave pulse. Pulse duration is from 0.9mS to 2.1mS with 1.5mS as center. Servos can be operated within a 6V-8.4V. range. The Black wire is 'ground', the Red wire (center) is 'power' and the third wire (white) is 'signal'.

* Servo is splash- and water-proof, but submerging is not recommended.

LED Signal Status:

Green Flashing: No Radio Signal / Inactive

Red Flashing: No Radio Signal / Low Battery / Inactive

Green ON: Active

Red ON: Low Battery voltage (Below 6 Vdc)

Limited Warranty

60 days warranty for your Hilantronics products

Your electronic Hilantronics product is sold with a 60 days warranty from the date of purchase against defects in material and workmanship. Please complete the product Warranty Cards and return it to Hilantronics within 14 days of purchase with a copy of dated register receipt. Hilantronics will repair or replace your product free of charge on the following conditions:

1. Products returned under this warranty must be accompanied by a description of the defect together with a copy of the product's proof of purchase and your full contact and delivery details: name, telephone, complete address – street, house number, postal code, city, country.
2. Products returned to Hilantronics must be adequately packaged. Hilantronics will accept no liability for goods lost or damaged in transit from the customer.
3. Product must have been used strictly in accordance with operating instructions supplied. Hilantronics will have no liability for defects caused by accident, misuse, alteration or neglect.
4. Hilantronics accepts no liability for any consequential loss, damage or expense of any kind resulting from the product or the use thereof, as well as liability for death or bodily injury caused by such product.
5. This warranty does not affect your statutory right as a consumer.